

# MICRO BLOWER

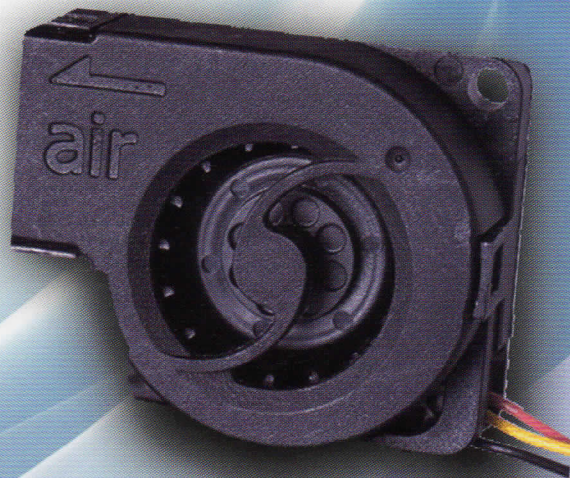
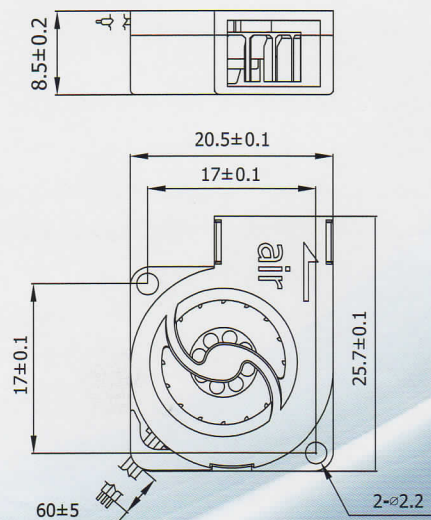
NEW

## ► RFB2008

### DIMENSIONS

■ 20 x 20 x 8.5

(unit: mm)



### FEATURES

- Extra mini and slim, Suitable for portable electronics cooling
- High efficiency and low power
- High static pressure and low noise
- Self-lubricative bearing used for a long service life

### APPLICATIONS

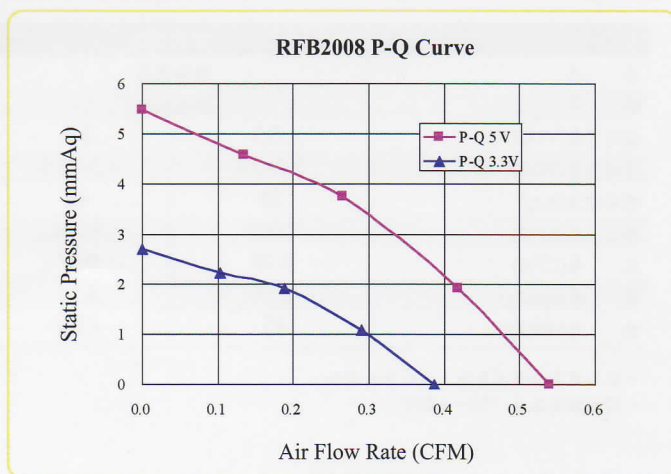
PocketProjector · MID · UMPC · Smartbook · CCTV ·  
 Portable GPS · Micro Fuel Cell · Portable Gas/Particulate Detector ·  
 Portable Plasma Generator · Mask/Goggle/Helmet/Ventilation and  
 Defrosting

### SPECIFICATIONS

Model Number	RFB2008	
Product Name	Micro Blower	
Bearing	Axially-grooved Bearing	
Rated Voltage (VDC)	3.3	5.0
Operating Voltage (VDC)	2.8~3.6	4.5~5.5
Rated Current (mA)	30	45
Rotation Speed (RPM)	7,000	9,000
Air Flow (CFM)	0.38	0.57
Static Pressure (mmAq)	2.14	4.73
Noise (dB(A))	25	< 35

- Specifications subject to change without notice
- Operating Temperature: -10~+60°C

### PERFORMANCE CURVE



**RISUN EXPANSE CORP.**

1F, NO. 22 LANE 24, SEC. 1, HUAN-SHAN RD., TAIPEI, TAIWAN 114, R. O. C

TEL: +886 (2) 8797-3990 . FAX: +886 (2) 8797-3989

E-Mail: [risun@risun.com.tw](mailto:risun@risun.com.tw) Website: [www.risun.com.tw](http://www.risun.com.tw) ; [www.risunmicrotec.com](http://www.risunmicrotec.com)

