

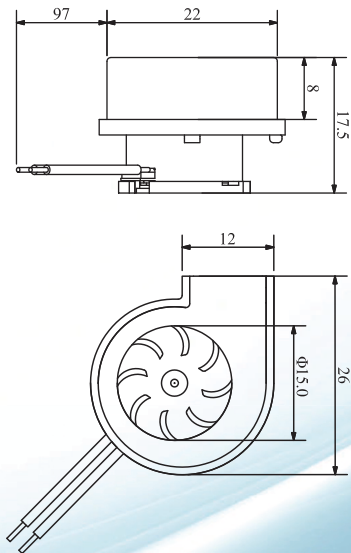
# SINGLE MICRO-BLOWER

## ► RBS2218

### DIMENSIONS

■ 22 x 26 x 17.5

(unit: mm)



International Patents

### FEATURES

- Low profile
- Low power
- High static-pressure
- Long service life
- Efficient cooling

### APPLICATIONS

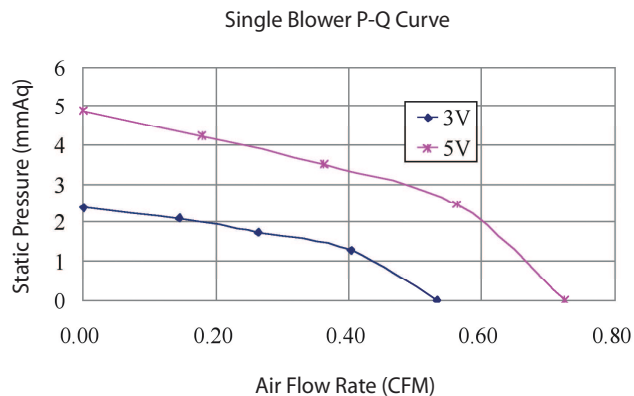
Cooling solutions for high-speed memory module, CCTV, security surveillance system, LED lighting and small projector.

### SPECIFICATIONS

Model Number	RBS2218
Product Name	Single Micro-Blower
Rated Voltage (VDC)	5.0
Operating Voltage (VDC)	4.5~5.5
Rated Current (mA)	80
Rotation Speed (RPM)	10,000
Air Flow (CFM)	0.7
Static Pressure (mmAq)	4.8
Noise (dB(A))	40
Weight (g)	7.5

- Specifications subject to change without notice
- Operating Temperature: -10~+60°C

### PERFORMANCE CURVE



RISUN EXPANSE CORP.

1F, NO. 22 LANE 24, SEC. 1, HUAN-SHAN RD., TAIPEI, TAIWAN 114, R. O. C

TEL: +886 (2) 8797-3990 . FAX: +886 (2) 8797-3989

E-Mail: risun@risun.com.tw Website: www.risun.com.tw ; www.risunmicrotec.com

